

## Solenoid locks

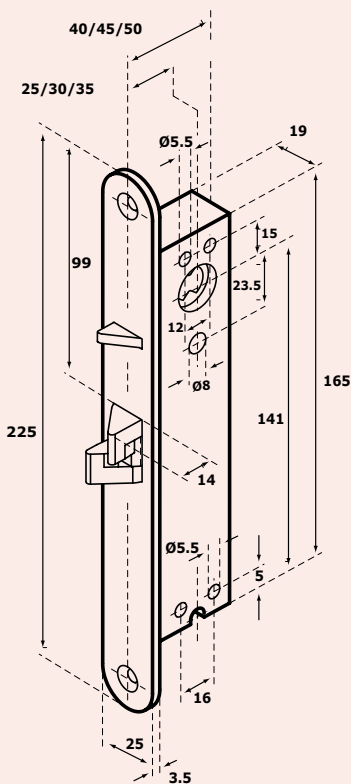


**8380**  
12 or 24V

For narrow stile doors, with double action bolt, fail locked

**8381**  
12 or 24V

As 8380 but fail unlocked



### Features

Bolt deadlocks when door closes

Bolt collapses into lockcase as door is opened (push or pull)

Key/thumbturn override at all times

N.B. It is recommended that mechanical override always be used with this lockcase

### Control Switches

8380 – bolt collapses allowing opening of door when power on

8381 – bolt collapses allowing opening of door when power off

### Monitoring

Bolt position

### TECHNICAL SPECIFICATION

	Product No <b>8380</b> <b>8381</b>
<b>Operating voltage</b> +15%, -10%	12VDC stabilized
±15%	24VDC stabilized
<b>Current max (+20°C)</b> <b>12VDC</b>	0.4A
<b>24VDC</b>	0.24A
<b>Temperature °C</b>	-30 to +70
<b>Backset (mm)</b>	25, 30 or 35
<b>Forend finish</b> <b>Polished chrome</b>	●

### ACCESSORIES

	Product No <b>8380</b> <b>8381</b>
<b>Cylinder double</b>	5718
<b>Cylinder and turn</b>	5719
<b>Strike (not included)</b>	Flat 1R, 2R 3R or 4
<b>Cable</b>	8850

NB Unless otherwise stated all electro-mechanical lockcase cylinders will be supplied as ABLOY PROTEC