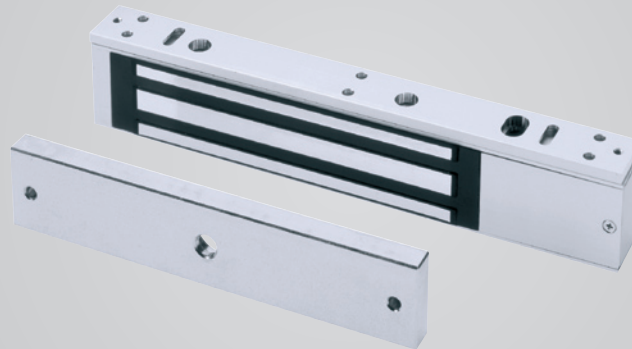


High security



Application

For use where security for people is paramount. For example public areas such as libraries, shops, etc. Will accept a range of power inputs.



All magnets are supplied with armature plate, screw fittings and manual. For mounting brackets and armature housings see page 5:11.

High Security –
600kg holding force.
Dual voltage 12/24 V DC.
Not handed.

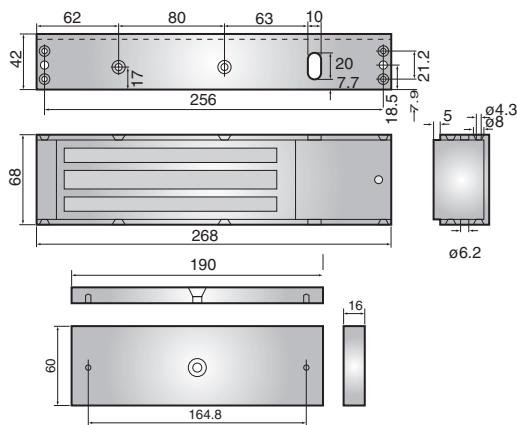
For finishes see page 5:34
For electrical details see page 5:35

↘ M8011 magnet

High Security

Surface fixing. True fail-safe operation.
Suitable for heavy external and internal single doors.

Available with Hall Effect microswitch to monitor that the magnet is active; use ref. **M8011X002**.



↘ M8022 double magnet

High Security

Surface fixing. True fail-safe operation.
Suitable for heavy external and internal double doors.

Available with Hall Effect microswitch to monitor that the magnet is active; use ref. **M8022X002**.

