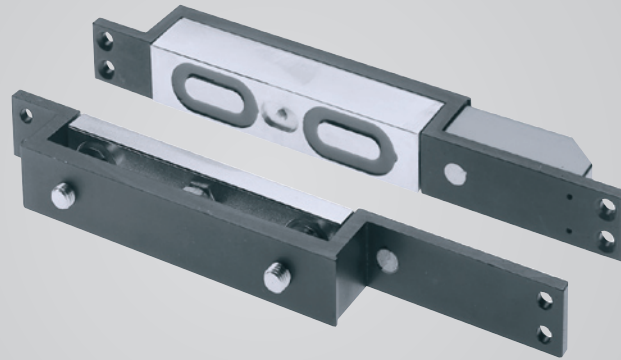


Very high security shearmagnets



Application

For use where the highest level of security for people is paramount. For example perimeter doors, security doors and gates.



Supplied with armature plate, screw fittings and manual.

Very High Security – 1,500kg holding force.

Dual voltage 12/24 V DC.

Not handed.

For finishes see page 5:34

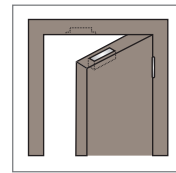
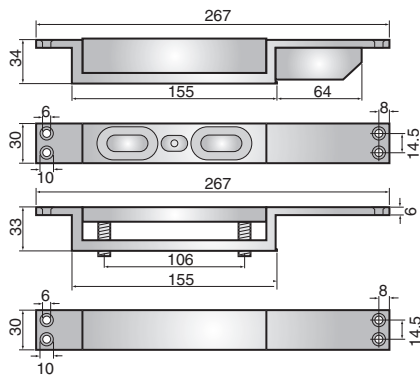
For electrical details see page 5:35

➤ M8031X002 Shearmagnet

Very High Security

Surface or mortice fixing (mortice recommended). True fail-safe operation. Suitable for external and internal doors.

Supplied as standard with Hall Effect microswitch to monitor that the shearmagnet is active.



➤ Mounting brackets

Aluminium mounting brackets, for use with surface mounted door magnets only. When used with M8022 double magnet two brackets should be specified.

L-Brackets

For outward opening doors.

M8005.103 To suit M8005

M8011.103 To suit M8011 and M8022*

Z-Brackets

For inward opening doors.

M8005.100 To suit M8005

M8011.100 To suit M8011 and M8022*

Armature Housing

For surface fixing of armatures to doors.

M8005.104 To suit M8005

M8011.104 To suit M8011 and M8022*

* And M8031X002 if it is surface mounted.