

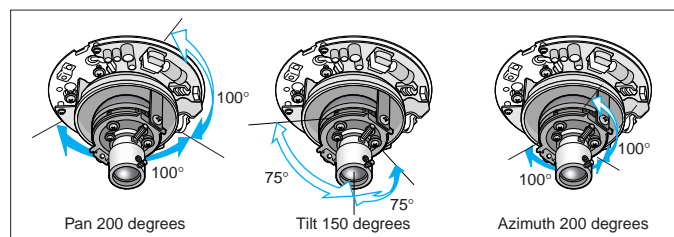


EQUIPPED WITH 2x VARIABLE-FOCAL LENS, THIS COST-EFFECTIVE COLOUR DOME CAMERA PERFORMS SUPERBLY ACROSS A WIDE RANGE OF APPLICATIONS.

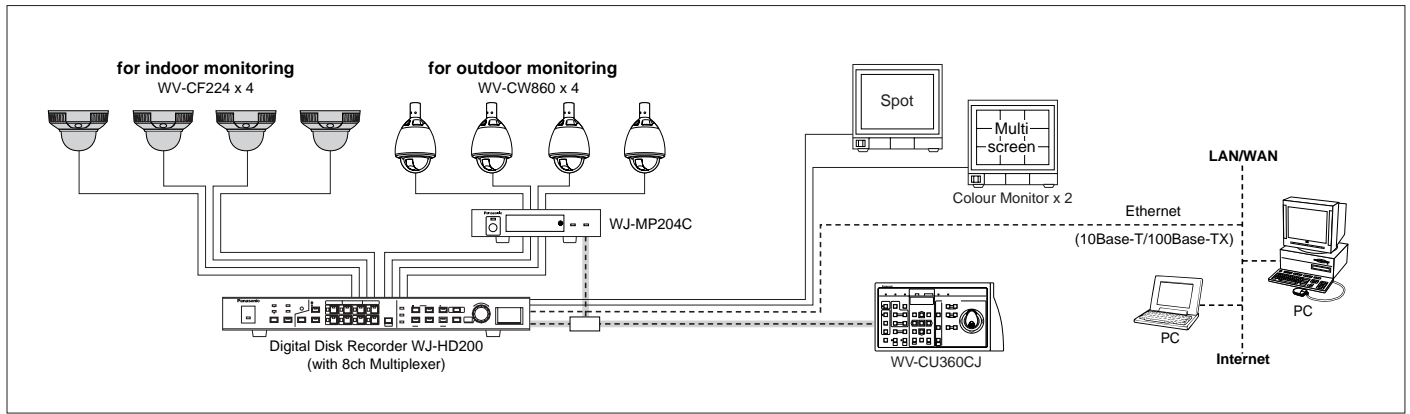
The new WV-CF224 Colour Dome Camera from Panasonic is equipped with a 440,000 pixel, 1/4-type CCD and can be used with both AC and DC power sources. In addition to 480-line horizontal resolution, it can operate effectively in lighting as low as 2 lux with an aperture setting of F1.4. A full range of correction features including Backlight Compensation (BLC), Aperture Correction, and Auto Tracing White Balance (ATW) ensure crisp colour images in dark or backlit environments. The 2.8mm to 6.0mm variable-focal lens is standard equipment, and provides easy installation and camera angle adjustment. When used with a 24-volt AC power source, it simultaneously supports Internal, Line-Lock, and VD2 synchronization, making it simple to configure a reliable, multi-channel camera system. Great specs, great cost, great simple installation and great flexibility for system configuration: The WV-CF224 has everything it takes to succeed in all applications.

KEY FEATURES

- 135mm diameter compact colour dome camera for indoor use.
- 480-line horizontal resolution.
- Minimum illumination of 2 lux.
- 50dB signal to noise ratio.
- Built-in 2x variable-focal lens (2.8-6.0mm).
- Built-in aperture level (sharp/soft) correction.
- Advanced digital adaptive Back-Light Compensation (BLC) capability.
- Internal/Line-lock/VD2 synchronization (Line-lock : 24V AC operation only).
- Vertical drive (VD2) sync capability with Panasonic system products.
- Video monitor output jack provides on the spot checking of the lens angle setting.
- Can be installed in existing standard electronic junction box.
- 24V AC/12V DC compatible power source operation to suit a wide variety of applications.
- The 3-dimensional hinge (Pan, Tilt and Azimuth) allows the camera to be rotated as well as moved horizontally and vertically. Choose precisely the camera angle you need. No camera makes it easier.



SYSTEM EXAMPLE



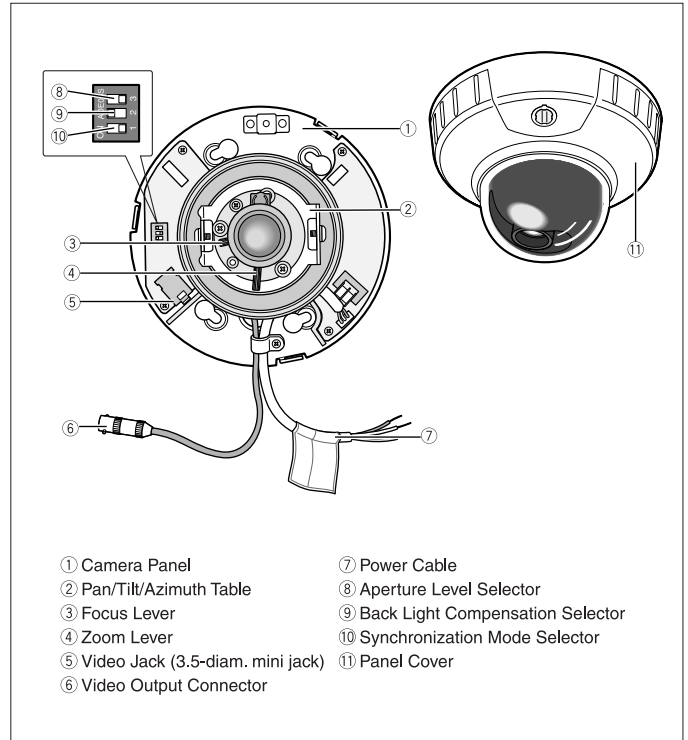
OPTIONAL COMPONENTS

<p>Digital Disk Recorder with 16ch Multiplexer WJ-HD500B PS•Data</p> 	<p>Digital Disk Recorder with 8ch Multiplexer WJ-HD200 PS•Data</p> 
<p>Data Multiplex Unit WJ-MP204C PS•Data</p> 	<p>Colour Monitors WV-CM2080 PS•Data WV-CM1780 PS•Data WV-CM1480 PS•Data WV-CM1420 WV-CM1020</p> 
<p>System Controller WV-CU360CJ PS•Data</p> 	

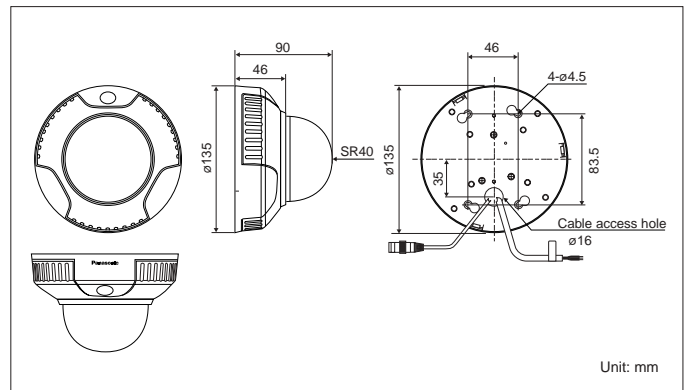
SPECIFICATIONS PAL

Pick-up Device	752 (H) x 582 (V) pixels, interline transfer CCD
Scanning Area	3.6 (H) x 2.7 (V) mm (equivalent to scanning area of 1/4" pick-up tube)
Synchronization	Internal, Line-lock (24 V AC only) or multiplexed vertical drive (VD2)
Scanning System	2 : 1 interlace
Scanning	625 lines / 50 fields / 25 frames
Horizontal	15.625 kHz
Vertical	50 Hz
Horizontal Resolution	480 lines
Video Output	1.0 V _{p-p} PAL composite 75 Ω
Automatic Gain Control (AGC)	+18 dB
Automatic Tracing White Balance (ATW)	ON only
Signal-to-Noise Ratio	50 dB (equivalent to AGC Off, weight On)
Minimum Illumination	2.0 lux at F1.4 (WIDE)
Back Light Compensation (BLC)	On or Off
Detail	Sharp or Soft, selectable
Lens	
Type	2x variable-focal lens
Focal Length	2.8 - 6.0mm
F Number	F1.4 (Wide) to F176, close / F1.8 (Wide) to F176, close
Min. Object Distance	1.2 m
Panning Range	200° (±100°)
Tilting Range	150° (±75°)
Azimuth Range	200° (±100°)
Ambient Operating Temperature	-10°C - +50°C
Ambient Operating Humidity	Less than 90 %
Power Source and Power Consumption	12 V DC, 235 mA 24 V AC 50 Hz, 2.8 W
Dimensions	ø135 (D) x 90 (H) mm
Weights	0.46 kg

MAJOR OPERATING CONTROLS



APPEARANCE



• Weights and dimensions are approximate. • Specifications are subject to change without notice. • These products may be subject to export control regulations.

DISTRIBUTED BY:

Panasonic

Panasonic is the brandname of Matsushita Electric.
Printed in Japan
WV-JKCF224T(2N-714)